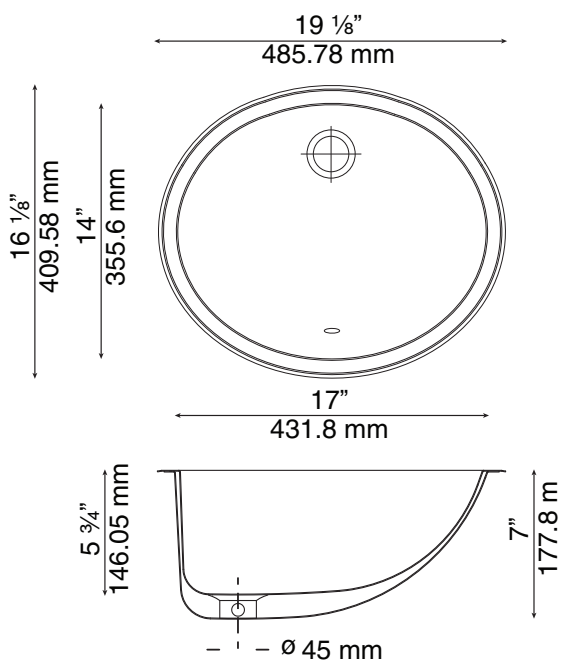


DESIGNER BATHROOM LINE Single Bowl Undermount

Model M1630



What sets MoSER sinks apart

- » Deep Drawn modern European design
- » Professional quality stainless steel – 18 gauge
- » Corrosion resistant – 304 stainless steel
- » Built-in overflow
- » Supplied with template
- » Single bowl sink
- » Drain sold separately
- » Limited lifetime warranty
- » 100% recyclable
- » cUPC certified

Technical Specifications

- » Outside dimensions: 19 1/8" x 16 1/8" x 7"
- » Inside dimensions: 17" x 14" x 5 3/4"
- » Minimum Cabinet Size: 22"

Warranty

Every MoSER sink comes with a limited lifetime warranty. For more details please refer to our product warranty section on our website.

MoSER makes all efforts to provide accurate information, all dimensions are nominal, cannot be guaranteed and are subject to change or cancellation. MoSER assumes no responsibility for the use of superseded voided specifications.

