

MÖSER

SINKS & FAUCETS

INSTALLATION MANUAL

MOSER STAINLESS STEEL BATHROOM FAUCET
MODEL MILAN



Thank you for your purchase of a MoSER faucet. With proper care and maintenance, your new faucet will bring you years of trouble free enjoyment. We welcome any questions or comments you may have and look forward to assisting you.

For more information about MoSER Sinks and Faucets products, please visit our website at:
www.mosersinks.com

To ensure that your installation proceeds smoothly, please carefully read the installation and maintenance instructions. Remember to inspect your faucet for any noticeable damage and verify all parts and pieces are in the box. Verify all local applicable plumbing and building codes. The following instructions are based on application in a residential setting.

For the installation of MoSER stainless steel faucets, we suggest using only licensed plumbers. Please note acceptable variances are approximately 1/16 of an inch. Alignment to the pre-drilled hole cut-out and precise application and trimming of any adhesive sealant are critical for a superior fit and finished look. Please take extra care when installing MoSER stainless steel faucet.

MoSER does not accept any liability for damage to your countertop, sink fixture, faucets or personal injury during installation. Warranty is void if installation instructions are not properly followed.

Important note:

- i. Ensure that the cold and hot water lines are turned off.
- ii. Wrap all threaded connections with Teflon tape. Be sure to always wrap in a clockwise direction.
- iii. Cover the sink drain to avoid losing parts.
- iv. Do not disassemble the main faucet body, as it has been precision factory assembled.
- v. Verify that working pressure is between 0.05-1.00MPa (including both hot and cold water) and that water temperature is between 4°C and 90°C

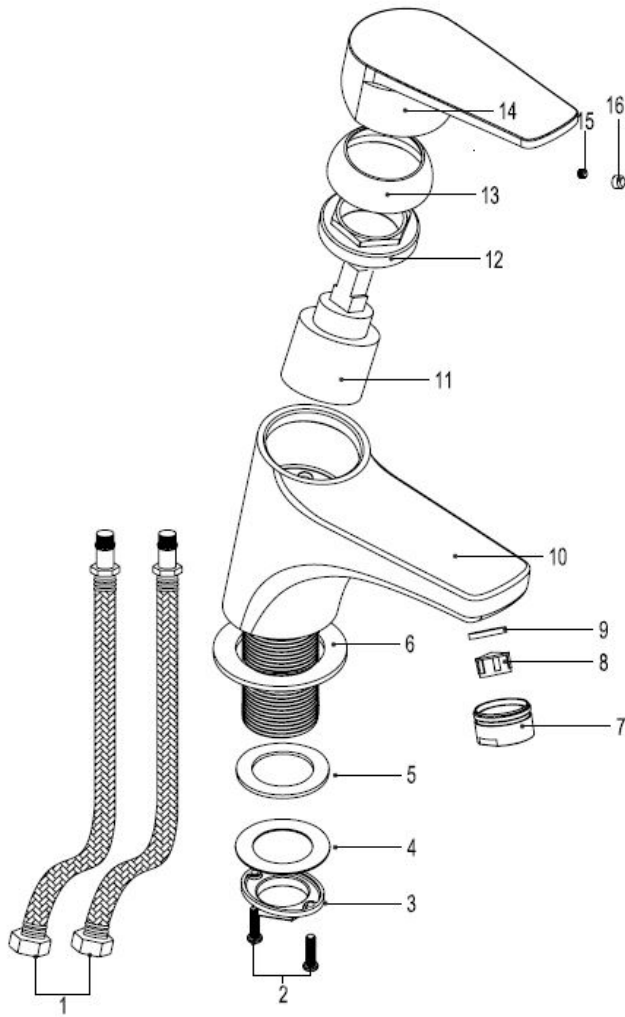
Tools and material you may require:

- | | | |
|---------------------|------------------------|---------------------|
| » Adjustable Wrench | » Rags | » Pencil (not ink) |
| » Teflon Tape | » Eye Protection | » Denatured Alcohol |
| » Silicone Adhesive | » Phillips Screwdriver | » Tape Measure |

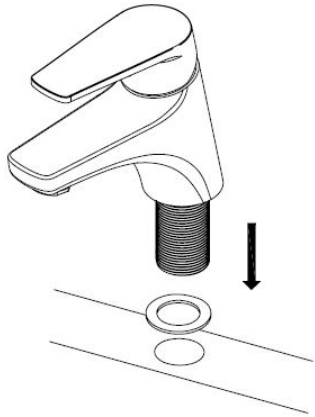
Be sure to use proper tools and always wear personal safety devices for your protection.



To avoid the risk of fresh water contamination due to back-siphonage, do not connect this faucet to a portable washing device such as a dishwasher.

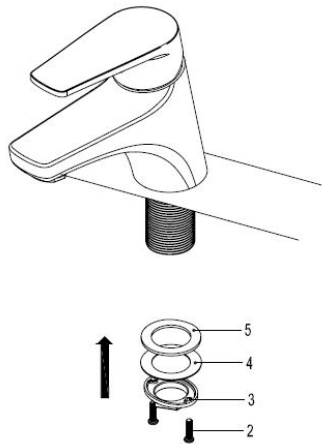
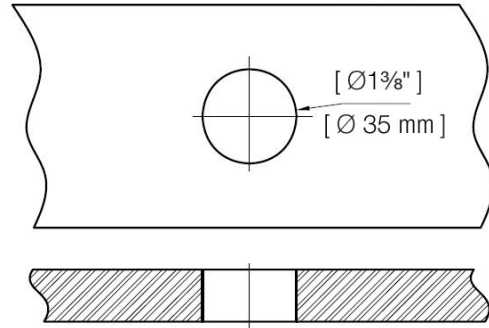


1. Hot and Cold Waterline
2. Screws
3. Lock Nut
4. Metal Washer
5. Rubber Ring
6. Washer
7. Nozzle
8. Filter
9. Washer
10. Faucet Body
11. Ceramic Cartridge
12. Clamp Nut
13. Cover
14. Handle
15. M5 Screw
16. Finishing Cap



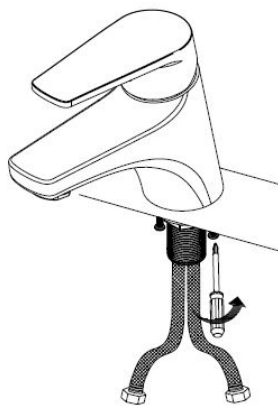
STEP 1

Insert faucet body in the pre-drilled 1 3/8" hole



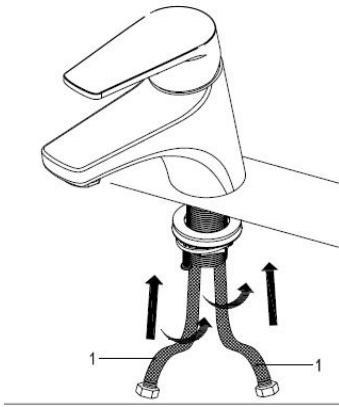
STEP 2

Insert rubber ring (5), metal washer (4), lock nut (3) and lock nut screws (2).



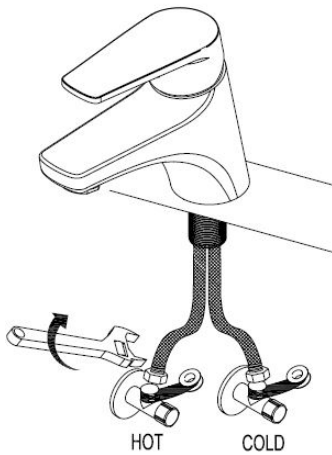
STEP 3

Use Phillips Screwdriver to tighten lock nut screws.



STEP 4

Connect hot and cold waterlines (1) to faucet.
Tighten until snug.

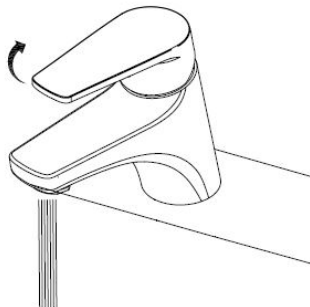


STEP 5

- Wrap Teflon tape to the threaded portion of the shut off valves.
- Verify if O-rings are present on both ends of the hot and cold waterlines.
- Connect hot and cold waterlines to the shut off valves. Tighten with an adjustable wrench until snug.
- Ensure handle is in the “off” position
- Turn on water supplies and check for leaks.

NOTE

In the event longer waterlines than those supplied are required, installer must purchase additional parts separately



STEP 6

- Turn faucet on and ensure proper flow.
- Turn faucet off.

Legal Disclaimer

All technical data and information provided in this publication is done as a public service to customers of MoSER Sinks and Faucets (MoSER) and consumers of its products. All names, designs, and model numbers of products are the property of MoSER. Prices and specifications of MoSER products are subject to change without notice or obligation. MoSER may also change or discontinue models of its products without notice or obligation. While MoSER endeavors to provide accurate information and descriptions of its products, accuracy and completeness cannot be guaranteed. MoSER is not responsible for, nor does it have any liability for any mistakes or typographical errors, including liability for incidental, consequential, or special damages. All products should be inspected and measured promptly upon delivery and certainly before any improvements or alterations are done in anticipation of or preparation for installation. MoSER assumes no liability for the use of such information or for any damages incurred through its use or applications.

Nothing contained in this publication is to be construed as contractual or providing any form of warranty or representation on the part of MoSER. MoSER MAKES NO WARRANTIES, EXPRESS OR IMPLIED, INCLUDING BUT NOT LIMITED TO ANY WARRANTY OF MERCHANTABILITY OR OF FITNESS FOR A PARTICULAR PURPOSE, AS TO THE INFORMATION CONTAINED HEREIN OR THE PRODUCTS DESCRIBED HEREIN.

